

INDUSTRIAL DIESEL ENGINE

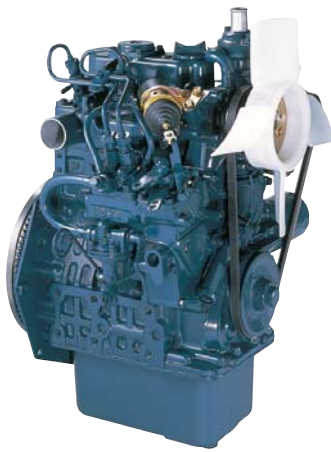
**KUBOTA SUPER MINI SERIES (2-cylinder)**

# Z602-E3B

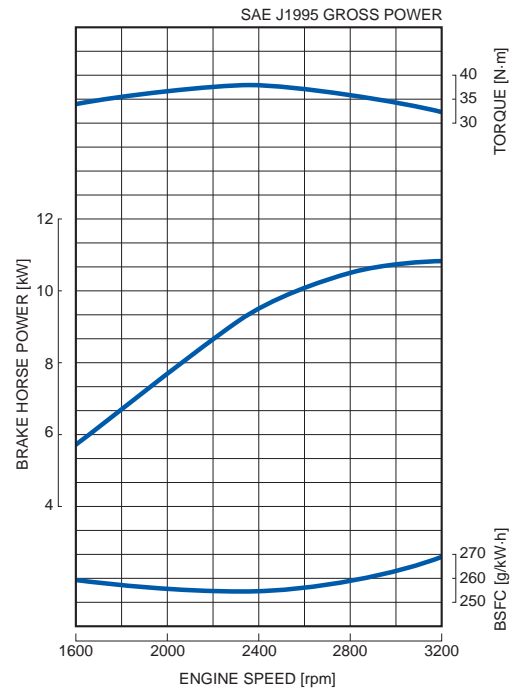


## RATED POWER

**10.8 kW/3200 rpm**



## PERFORMANCE CURVE



## FEATURES with BENEFITS

### Emissions

- Kubota Super Mini Series, the most compact multi-cylinder liquid cooled industrial diesel engines, complies with EPA Tier 4 emissions regulations. These are the most stringent emissions regulations in the world in this class.

### Durable Power

- The Kubota Z602 engine is a high power density engine that delivers the highest output in a 2-cylinder configuration.
- By expanding the bore and stroke, Kubota increased engine displacement, while maintaining the same footprint as the Z482 engine. By adopting an extended shallow oil pan, the engine height is lower than the Z482 engine, providing a compact engine package.
- The cooling water passages between the cylinder bores, using Kubota's original casting technology as a countermeasure against heat load of high power density, provides both superior endurance and reliable engine characteristics.
- This engine offers a seamless transition from Tier 2 to Tier 4 by totally maintaining the same performance and physical characteristics of the previous Tier 2 engines.

### Clean and Quiet Power

- Kubota's original E-TVCS (Three Vortex Combustion System) has been improved. The piston recess was optimized to achieve a 50% lower particulate matter (PM) level in such a small size range.
- The half-float valve cover and MoS<sub>2</sub> coated pistons reduce noise levels and provide reduced transmitted vibration from the valve area for better noise characteristics.

## GENERAL SPECIFICATION

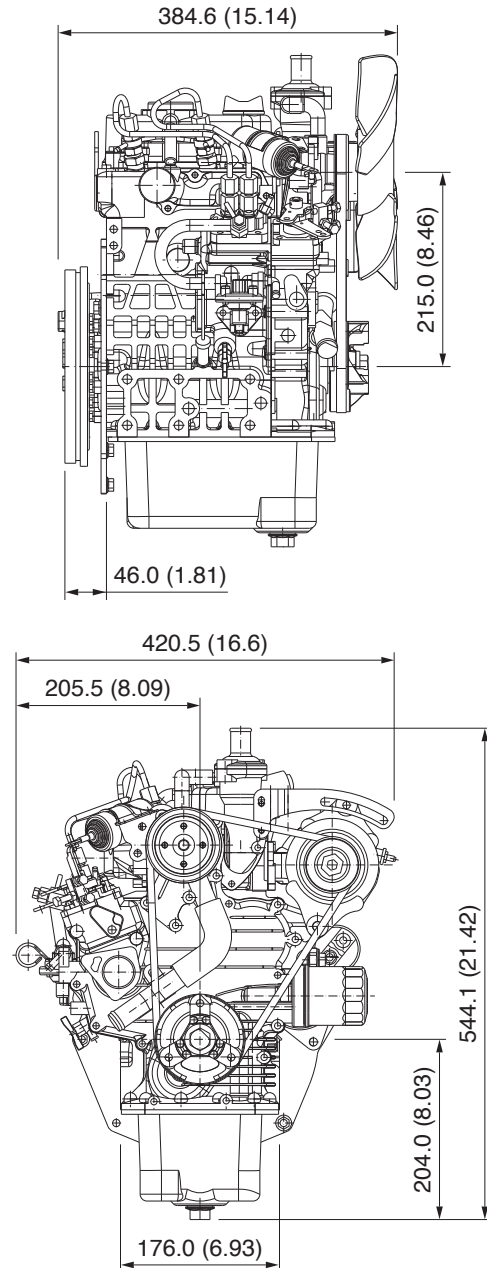
Model		<b>Z602-E3B</b>
Emission Regulation		Tier 4
Type		Vertical 4-cycle Liquid Cooled Diesel
Number of Cylinders		2
Bore	mm (in)	72 (2.83)
Stroke	mm (in)	73.6 (2.90)
Displacement	L (cu.in)	0.599 (36.55)
Combustion System		Indirect Injection
Intake System		Naturally Aspirated
Maximum Speed	rpm	3200
Output: SAE J1995 Gross Power	kW	10.8
	hp	14.5
	ps	14.7
Direction of Rotation		Counterclockwise Viewed on Flywheel
Oil Pan Capacity	L (gal)	2.5 (0.66)
Starter Capacity	V-kW	12-1.0
Alternator Capacity	V-A	12-40
Length	mm (in)	384.6 (15.14)
Width	mm (in)	420.5 (16.6)
Height (1)	mm (in)	544.1 (21.42)
Height (2)	mm (in)	204.0 (8.03)
Dry Weight	kg (lb)	60.0 (132.3)

\*Specification is subject to change without notice.

\*Dry weight is according to Kubota's standard specification. When specification varies, the weight will vary accordingly.

\*SAE J1995 Gross Power: 1-hour rating based on engine without cooling fan, air cleaner and muffler, with alternator.

## DIMENSIONS



# Kubota

**Kubota Corporation**

2-47, Shikitsu Higashi 1-chome, Naniwa-ku, Osaka, 556-8601 Japan  
 Fax: +81 (0) 6 6648 /35 21  
<http://engine.kubota.co.jp>



**AUTHORISED DEALER FOR ROMANIA:**

**Mecanexim Engineering SRL**  
 Str. Tudor Arghezi, nr.1  
 Comuna 1 Decembrie, judetul Ilfov  
 Telefon: +40 21 369 1340  
 Fax: +40 21 369 1341  
 eMail: [office@mecanexim.ro](mailto:office@mecanexim.ro)  
 website: [www.mecanexim.ro](http://www.mecanexim.ro)