

INDUSTRIAL DIESEL ENGINE

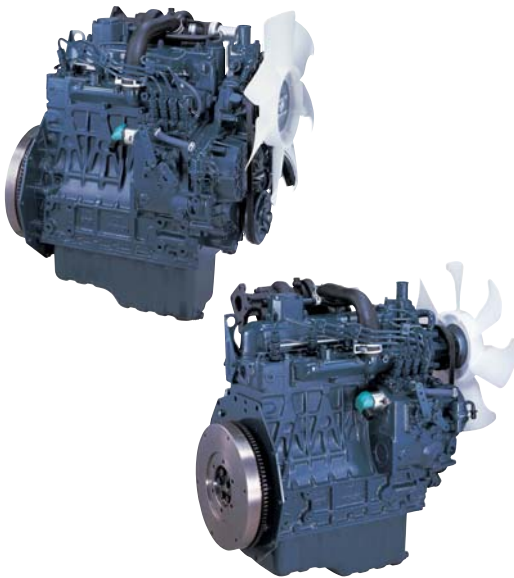
KUBOTA 05-SERIES (4-cylinder)

V1505-T-E3B

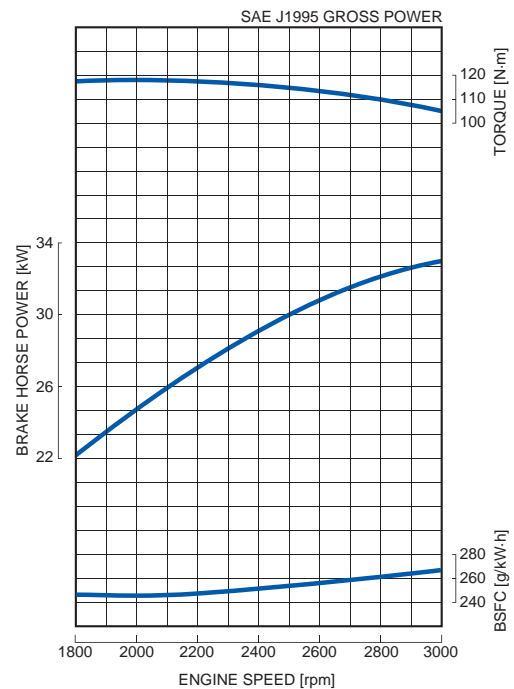


RATED POWER

33.0 kW/3000 rpm



PERFORMANCE CURVE



FEATURES with BENEFITS

Emissions

- The V1505 Turbocharged engine complies with EPA Interim Tier 4 emissions regulations that are effective through the end of 2012. This engine also complies with EU Stage 3A requirements that are effective through 2012 and beyond in the European market.

Durable Power

- The Kubota 05-Series is an established leader in its horsepower range and has been the preferred power source of various industrial equipment manufacturers.
- The V1505-T engine offers a seamless transition from Tier 2 to Interim Tier 4 by maintaining the same footprint and hardware mounting points with no performance changes from the Tier 2 engine.

Clean and Quiet Power

- The addition of a closed breather system meets EPA Interim Tier 4 requirements.
- Kubota's original E-TVCS (Three Vortex Combustion System) has been improved. The airflow, combustion chamber and piston recess were optimized to provide a 50% lower particulate matter (PM) level, the same stringent level as above the 37kW-class (EPA Interim Tier 4).

GENERAL SPECIFICATION

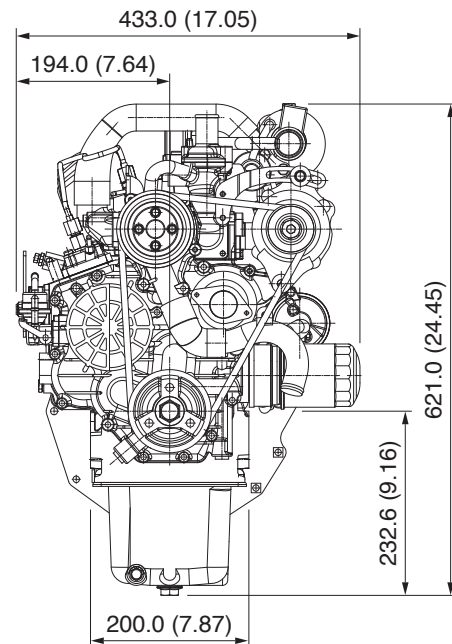
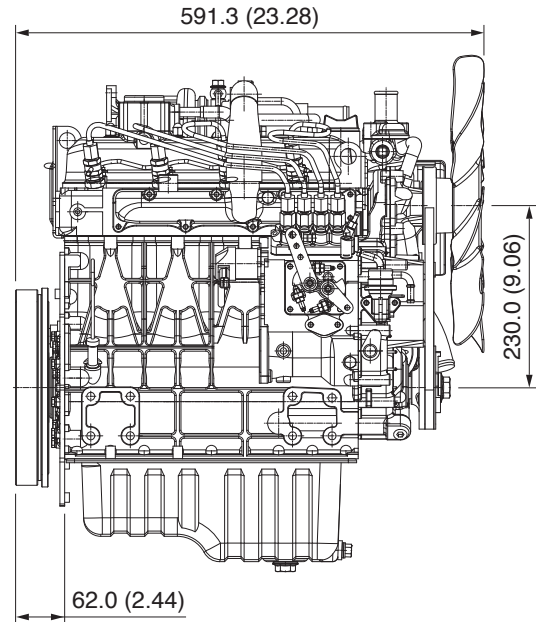
| | | |
|-------------------------------------|-----------|---------------------------------------|
| Model | | V1505-T-E3B |
| Emission Regulation | | Interim Tier 4 / Stage 3A |
| Type | | Vertical 4-cycle Liquid Cooled Diesel |
| Number of Cylinders | | 4 |
| Bore | mm (in) | 78.0 (3.07) |
| Stroke | mm (in) | 78.4 (3.09) |
| Displacement | L (cu.in) | 1.498 (91.41) |
| Combustion System | | Indirect Injection |
| Intake System | | Turbocharged |
| Maximum Speed | rpm | 3000 |
| Output: SAE J1995 Gross Power | kW | 33.0 |
| | hp | 44.2 |
| | ps | 44.9 |
| Direction of Rotation | | Counterclockwise Viewed on Flywheel |
| Oil Pan Capacity | L (gal) | 6.7 (1.77) |
| Starter Capacity | V-kW | 12-1.2 [US] / 12-1.4 [EU] |
| Alternator Capacity | V-A | 12-40 |
| Length | mm (in) | 591.3 (23.28) |
| Width | mm (in) | 433.0 (17.05) |
| Height (1) | mm (in) | 621.0 (24.45) |
| Height (2) | mm (in) | 232.6 (9.16) |
| Dry Weight | kg (lb) | 114.0 (251.3) |

*Specification is subject to change without notice.

*Dry weight is according to Kubota's standard specification. When specification varies, the weight will vary accordingly.

*SAE J1995 Gross Power: 1-hour rating based on engine without cooling fan, air cleaner and muffler, with alternator.

DIMENSIONS



Kubota

Kubota Corporation

2-47, Shikitsuhigashi 1-chome, Naniwa-ku, Osaka, 556-8601 Japan
 Fax: +81 (0) 6 6648 /35 21
<http://engine.kubota.co.jp>

AUTHORISED DEALER FOR ROMANIA:



Mecanexim Engineering SRL
 Str. Tudor Arghezi, nr.1
 Comuna 1 Decembrie, judetul Ilfov
 Telefon: +40 21 369 1340
 Fax: +40 21 369 1341
 eMail: office@mecanexim.ro
 website: www.mecanexim.ro